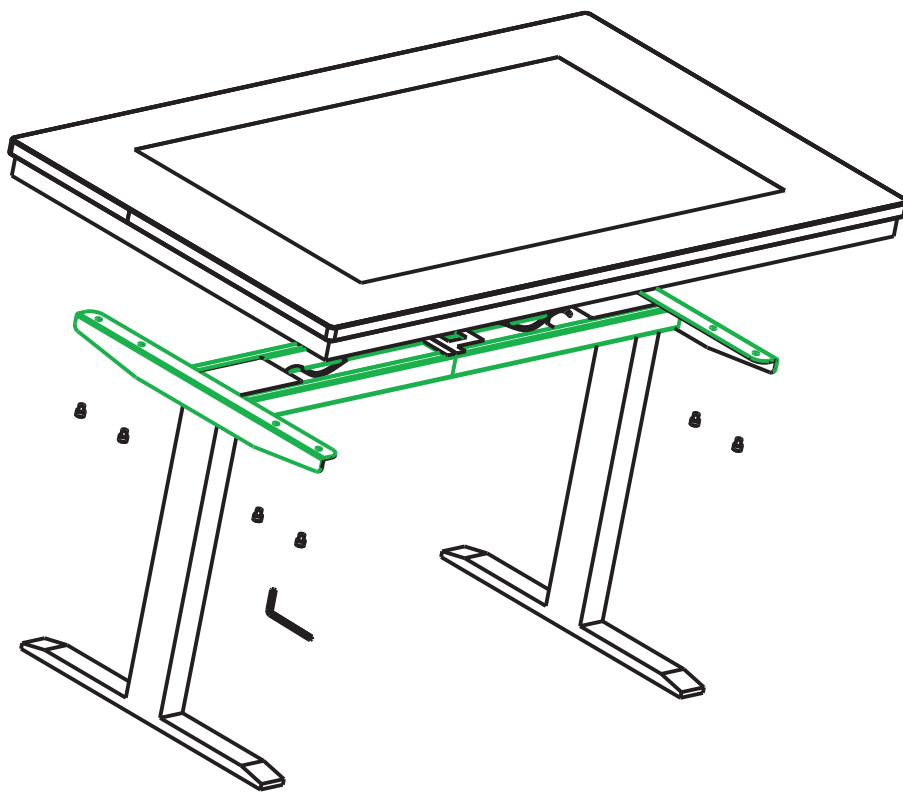
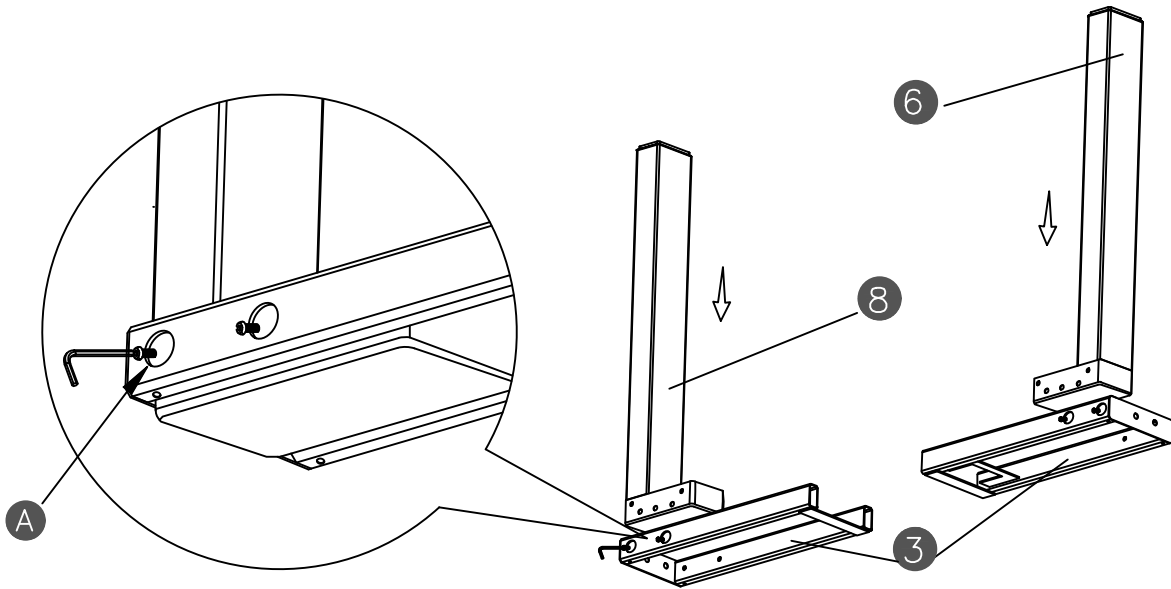


Installation guide

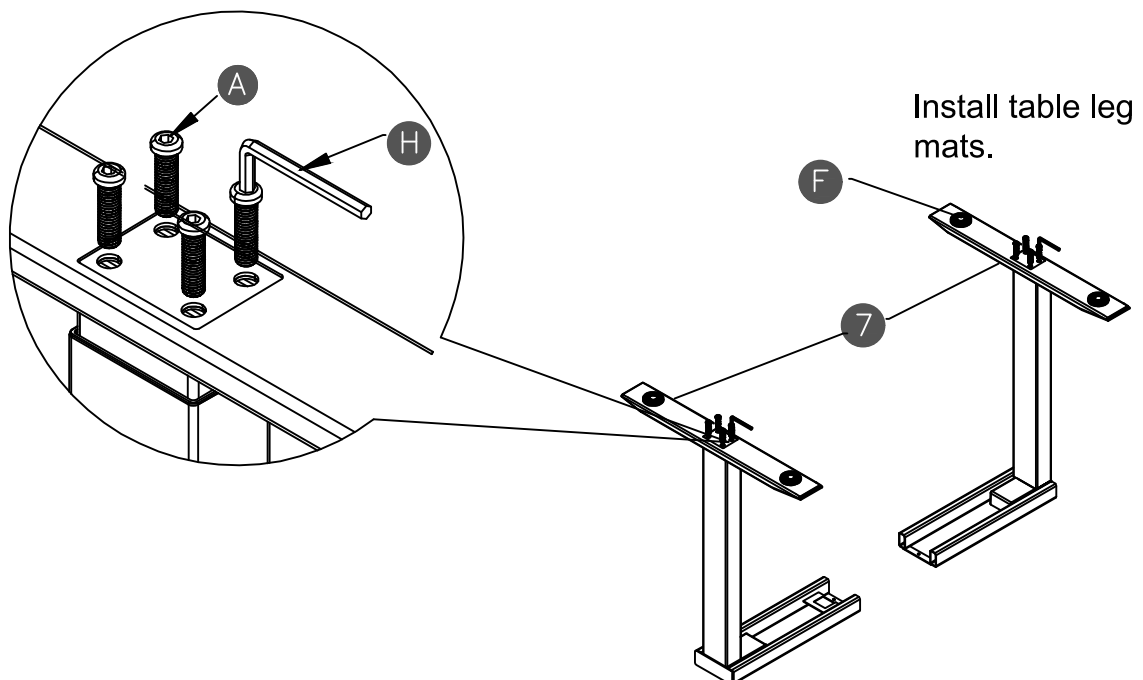


Assembly Instructions

1. Install the table legs and cross bar.

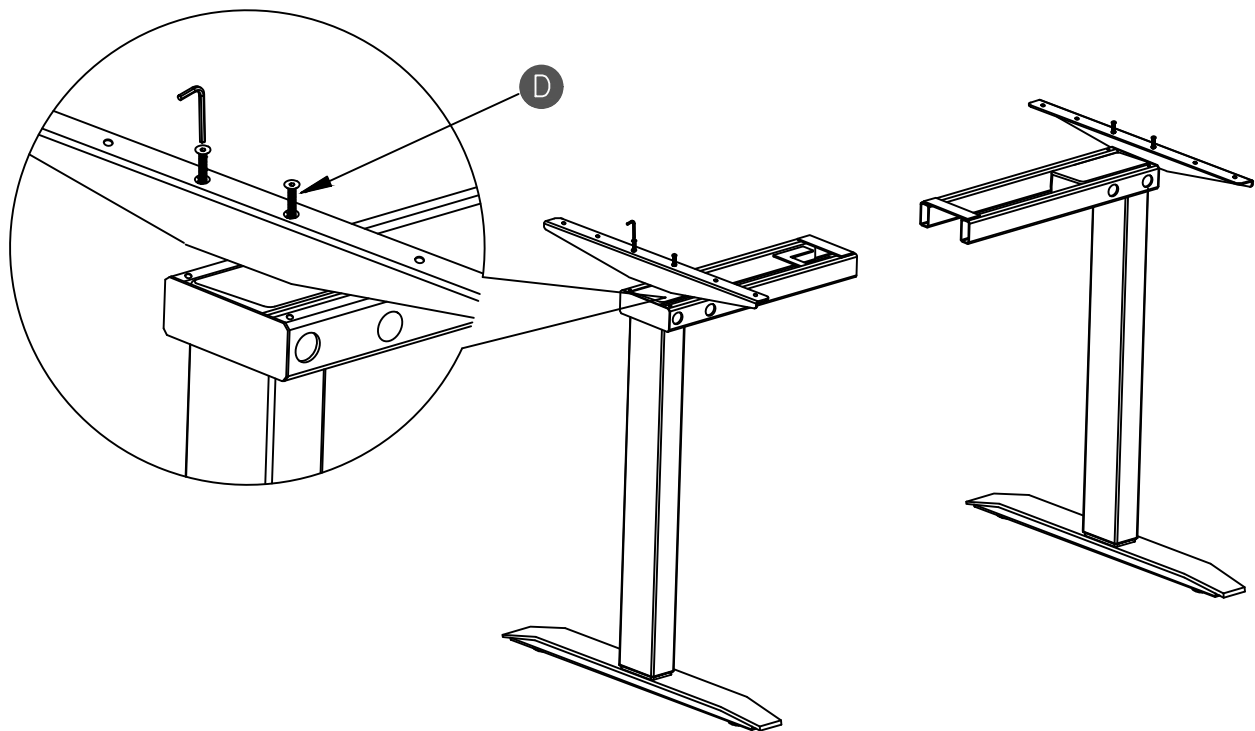


2. Install table legs.

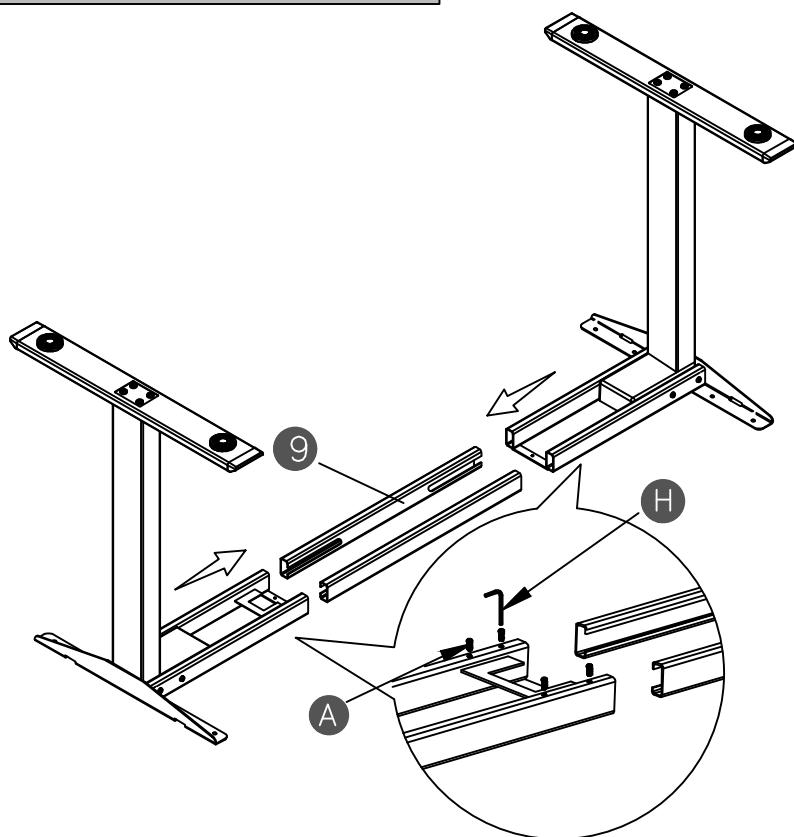


Assembly Instructions

3. Install side boards.

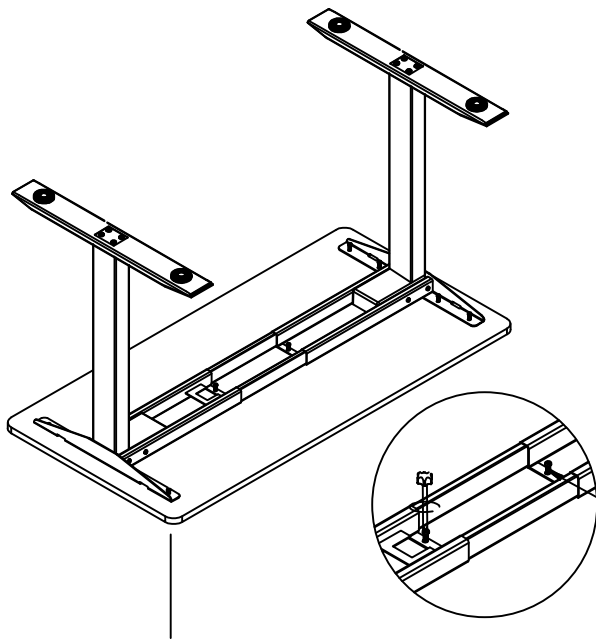


4. Install the cross bar A and cross bar B.



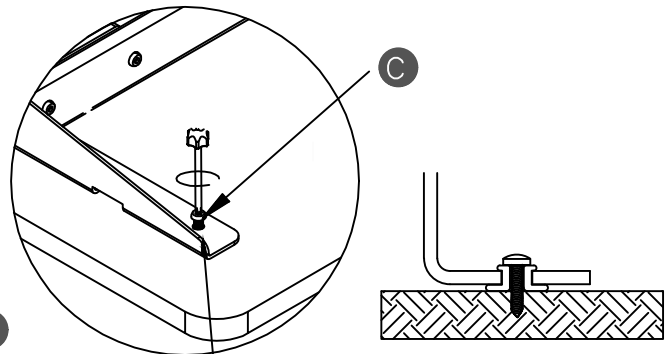
Assembly Instructions

5. Install the desktop.



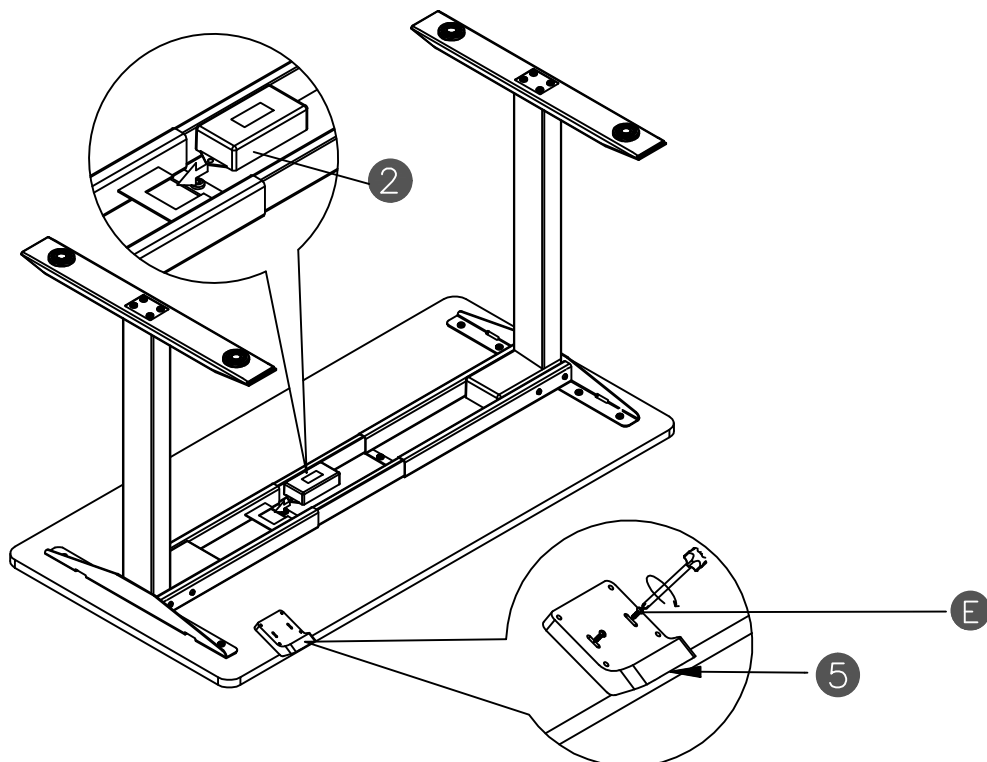
Note: Be sure to place a carpet or a soft blanket under the table to prevent scratches!

This screw is for your reference when match your desktop. If you use your own screws to install your own desktop, it is also ok.



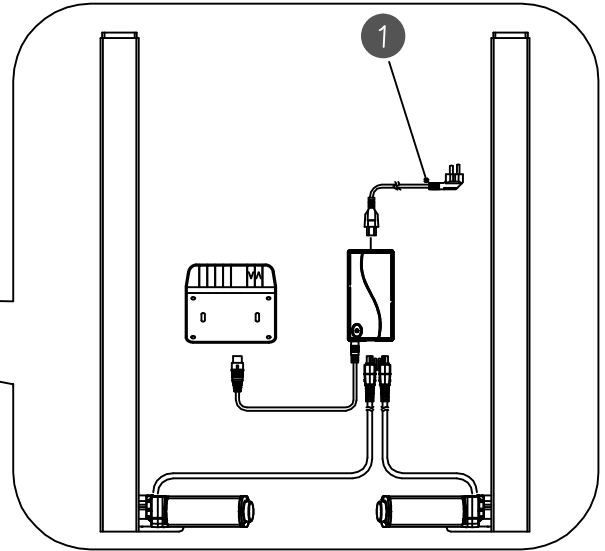
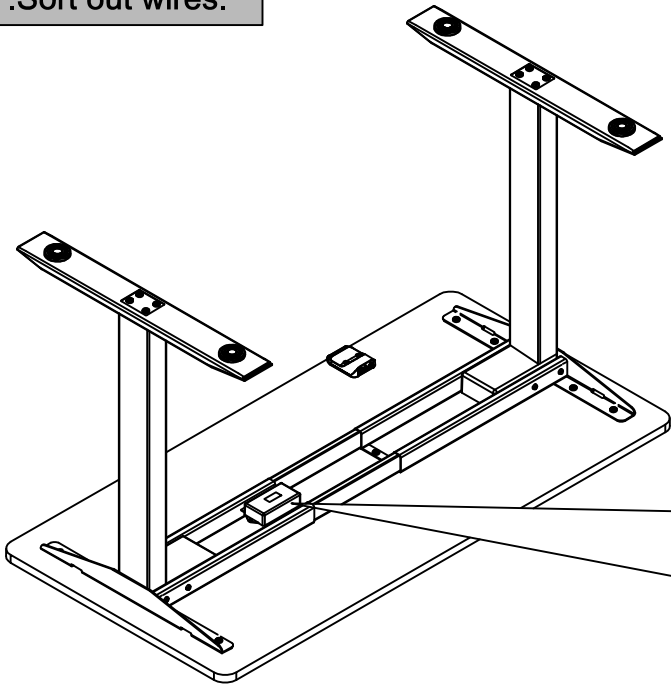
G Install the shakeproof washer before turning the screw.

6. Install adapter.



Assembly Instructions

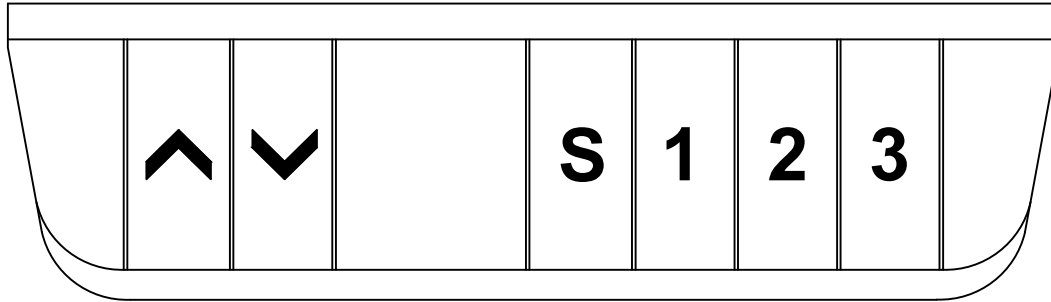
7.Sort out wires.



Assembly Instructions

Key instruction

Attention! Controller contains a horizontal protection device, please operate it in a horizontal static state.



S Setting key

^ UP key

v DOWN key

1 Memory key 1

2 Memory key 2

3 Memory key 3

Initialization operation

When the system is abnormal, or the controlled display of "RST", it is necessary to initialize the lifting table. The initialization operation is: press and hold the "DOWN" button until the motor stops releasing the button, and then press "DOWN" for 5 seconds to automatically enter the initialization mode. Do not release the "DOWN" key. If you release the "DOWN" key, the system stops initialization mode. When the initialization is complete, the honeycomb will sound, indicating that the initialization is successful.

Up and down key operation

When the "UP" key is pressed, the desktop moves UP until it reaches the highest point of the desktop. When the "DOWN" key is pressed, the desktop runs DOWN until it reaches the lowest point of the desktop. When the "UP" or "DOWN" key is pressed briefly, the desktop runs at a relatively small distance.

Height location storage and memory running

The controller can store 3 memory points. The storage method is as follows: When running to a specific point, press the "SET" key at this time, the screen will display "S-" and "-" will flash at the same time. Press the "1-3" memory key at this time to store the position to the corresponding label.

If you want to run to the memory point, you only need to press memory key at this time, the screen will display the memory height, and then automatically run to the corresponding height of the location storage, any press any key can stop the system during the operation.

Lock and unlock

Lock: press and hold "SET" + "UP" for 5 seconds. When "LOC" is displayed on screen, the system is locked and cannot be lowered or lowered.

Unlock: Press and hold "SET" + "UP" for 5 seconds. When the screen displays from "LOC" to the normal digital display, the system is unlocked.

Reset instructions

The newly installed desk needs to be reset after re-plugging in the connector. if there is an error message on the hand controller, there is no response when trying to raise or lower.

unplug the power cord.








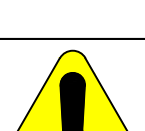
reinsert the power cord.

press and hold the down button of the hand controller until the post reaches its lowest point and the reset mark appears, releases the lower button, the hand controller will display the height, and your standing desk will be used.

Error code

E1	The main voltage exceeds 45V. Check the main power supply.
E5	Stop under resistance. Release the button to restart.
E8	The desktop tilts. Initialize.
E11	Motor 1 is not connected. Check the connecting wire.
E18	Motor 1 is overloaded. Reduce the load.
E21	Motor 2 is not connected. Check the connecting wire.
E28	Motor 2 is overloaded. Reduce the load.
HOT	The temperature of power supply is too high, or the power supply runs for more than 2 minutes. Wait for the temperature to decrease, or rest the system for 18 minutes and restart it.

Matters needing attention

	Attention!Controller contains a horizontal protection device, please operate it in a horizontal static state.
	Children must use this product under adult supervision.
	When operating the desk, make sure that the power cord is long enough.
	Please provide this manual to any users,installers and technicians who operate the product.
	This product cannot be used in high humidity or humid environments.
	Do not open any parts: columns, controllers, hand controls, to prevent damage to the product and electric shock, etc.
	When placing this product, ensure that there is enough space and at the same time keep a safe distance from other furniture items. Do not place objects higher than 50cm (20 inches) under the table.
	When power is cut off or the power cord is unplugged, manual reset is required.